

# SYNTEX®

## Backlash-free overload systems

### Flange type



For legend of pictogram please refer to flapper on the cover



#### Technical data – Dimensions

Size	Torques [Nm]				Max. speed <sup>1)</sup> [rpm]	Dimensions [mm]															
	Ratchet design DK		Synchronous design SK			Max. bore	D	D <sub>1</sub>	D <sub>2</sub>	D <sub>3</sub>	D <sub>4</sub>	D <sub>A</sub>	l <sub>1</sub>	l <sub>2</sub>	l <sub>3</sub>	l <sub>4</sub>	l <sub>5</sub>	d <sub>1</sub>	L	z	H=stroke
	DK <sub>1</sub>	DK <sub>2</sub>	SK <sub>1</sub>	SK <sub>2</sub>																	
20	6-20	15-30	10-20	20-65	1500	20	48	54	61,5	65	71	80	8	2	16	6	35	4,5	45	8	2
25	20-60	45-90	25-65	40-100	1500	25	60	68	80	81	89	98	8	2	17	8	39	5,5	50	8	2
35	25-80	75-150	30-100	70-180	1000	35	75	78	91	102	110	120	10	2	21	10	42	5,5	60	12	2
50	60-180	175-300	80-280	160-400	1000	50	105	108	121	142	152	162	12	2	25	13	56	6,6	70	12	2

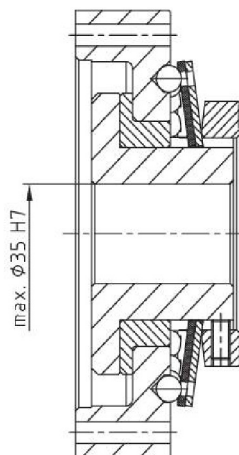
#### Dimensions of hub type 4.5

Size	Dimensions [mm]							Clamping screws	Tightening torque TA [Nm]
	d <sub>1max.</sub>	l <sub>6</sub>	l <sub>7</sub>	l <sub>8</sub>	L <sub>1</sub>	s			
20	20	9	3,5	23	54	3	4 x M5	8,5	
25	25	11	4,0	28	61	4	4 x M6	14	
35	35	10	4,0	31	70	4	4 x M6	14	
50	50	12	4,0	37	82	6	4 x M6	14	

#### Transmittable friction torques T<sub>R</sub> [Nm] (fitting tolerance H7/h6) of hub type 4.5

Size	Ø12	Ø14	Ø15	Ø16	Ø17	Ø18	Ø19	Ø20	Ø22	Ø23	Ø24	Ø25	Ø28	Ø30	Ø32	Ø35	Ø38	Ø40	Ø42	Ø45	Ø48	Ø50
20	45	62	71	81	92	103	115	127														
25		72	83	95	107	120	133	148	179	196	213	231										
35									127	139	152	165	207	237	270	323						
50																238	281	311	343	394	448	486

<sup>1)</sup> See comments on page 226



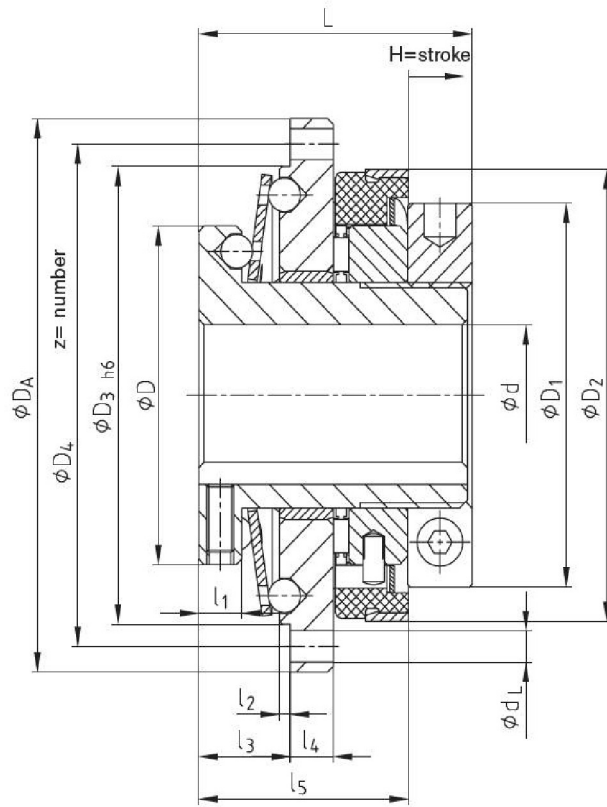
#### Cost-effective version

- SYNTEX® 35 spec. with integrated flange
- Performance range with 1 disk spring up to 200 Nm, with 2 disk springs up to 400 Nm
- Adjustment of the flange to ambient components possible

Ordering example:

SYNTEX® 25	d Ø20	DK1	1.0	45 Nm
Type/size	Bore	Type [DK/SK]	Hub type	Torque set

Hub type 1.0



Hub type 4.5

